

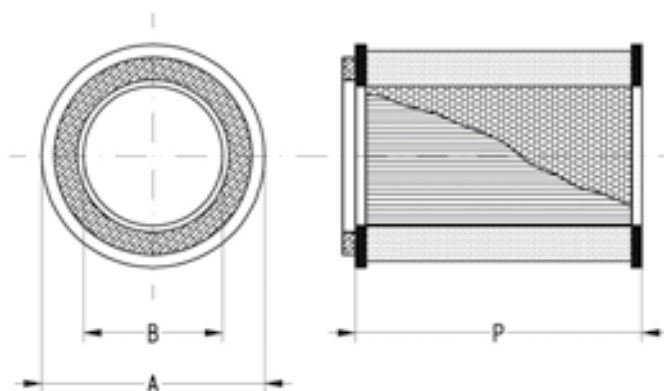
CYLINDRICAL ABSOLUTE FILTERS – FAC

Filter stage: **III**
 Filtration class EN 1822: **E - H**
 Structure: **aluminium bottoms and perforated sheets**
 Fittings: **SOE** (Single Open End)
 Filter medium: **glass microfibre**
 Separators: **thermoplastic**
 Sealant: **two-component polyurethane**
 Gasket: **Expanded Neoprene**



EFFICIENCY: EUROVENT		>85%	>99.99%
FILTRATION CLASS: EN 1822		E10	H13
Initial pressure drop	Pa	140	250
Recommended end pressure drop	Pa	250	450
Temperature	80°C		
Relative humidity	100%		

FAC	DIMENSIONS	Q. NOM	SURFACE AREA	MASS
	A x B x P mm	m ³ /h	m ²	kg
	176x110x176	130	1.2	1.0
	176x110x226	170	1.6	1.3



Filter composition code

FAC

130

H13

Flow rate (m³/h)
130 - 170

Filtration
class