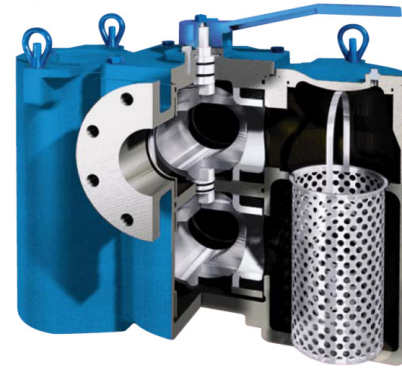


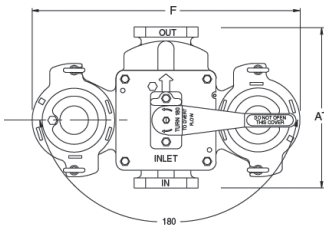
DUPLEX BASKET STRAINER FILTERS - FCD

SPECIFICATIONS

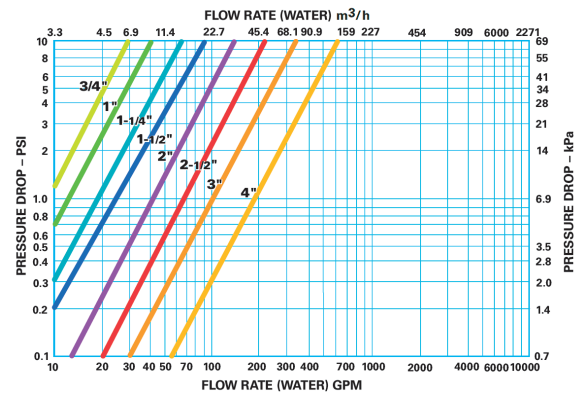
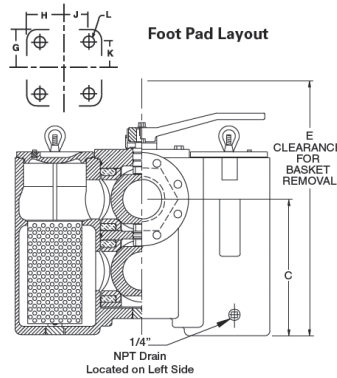
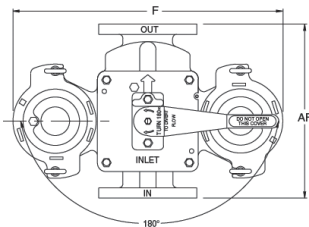
- Quick strainer opening and extraction
- Drain on both sides for each strainer
- Stainless steel valve ball
- Standard stainless steel filter strainers
- Operating pressure: 13.8 bar at 66°C
- Available in flanged or threaded version
- Available in Cast Iron, Carbon Steel, Stainless Steel and Bronze



Top View Threaded Model



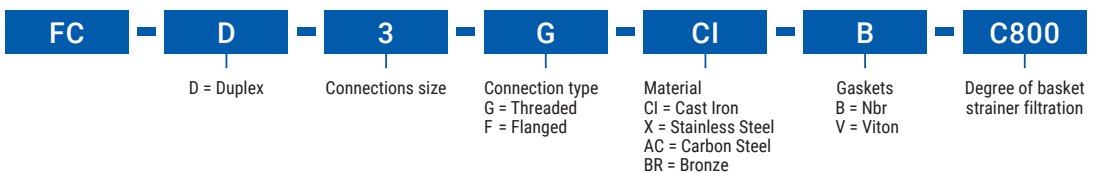
Top View Flanged Model



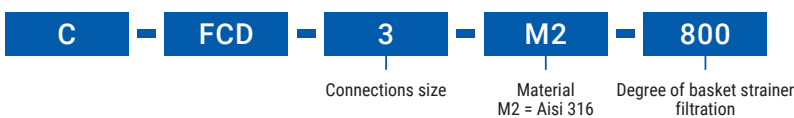
Sizes in mm

Size	AF	AT	C	E	F	G	H	J	K	L	Weight - Cast Iron		Weight - Bronze		Weight - SS/AC	
											Flan	Thread	Flan	Thread	Flan	Thread
3/4"	-	140	127	340	268	83	54	41	70	3/8	-	17	-	21	-	19
1"	175	140	127	340	268	83	54	41	70	3/8	19	17	24	21	21	19
1" 1/4	175	190	173	432	330	83	54	41	70	3/8	-	36	-	45	-	40
1" 1/2	238	190	173	432	330	83	54	41	70	3/8	41	36	51	45	45	40
2"	270	254	213	552	441	119	64	46	102	5/8	76	71	95	90	84	79
2" 1/2	273	254	213	552	441	119	64	46	102	5/8	83	71	104	90	92	-
3"	343	-	226	673	578	119	64	46	102	5/8	129	-	162	-	196	-
4"	406	-	337	838	629	132	100	83	114	5/8	177	-	221	-	196	-

Filter composition code

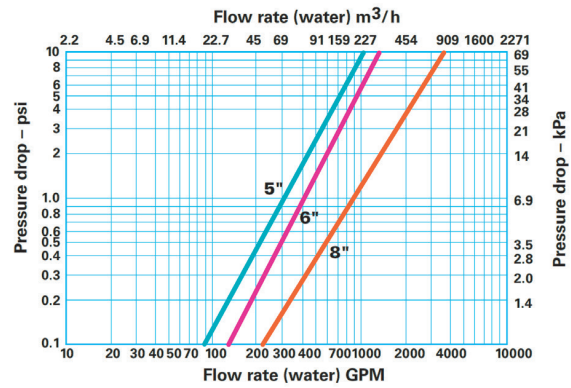
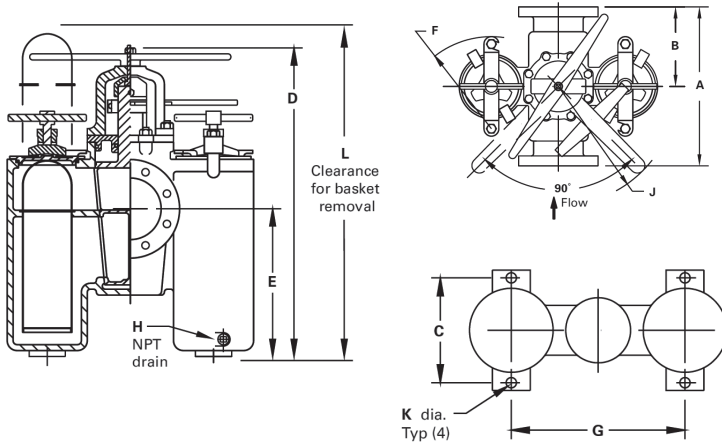
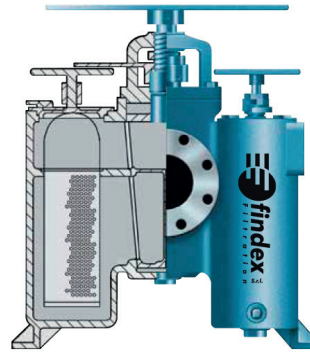


Strainer composition code



SPECIFICATIONS

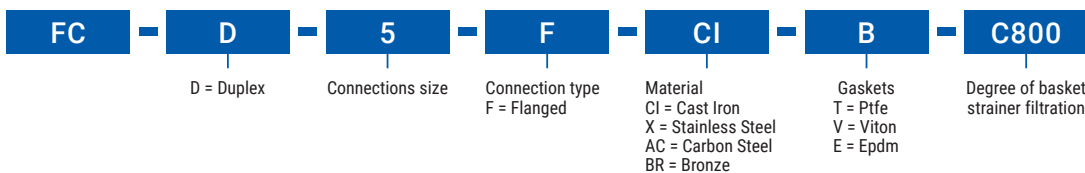
- Quick opening and extraction of strainers without interruption to flow
- Drain on both sides for each strainer
- Stainless steel valve ball
- Standard stainless steel filter strainers
- Operating pressure: - 13.8 bar at 38°C (5" and 6")
- 10.3 bar at 38°C (8")
- Available in Cast Iron, Carbon Steel, Stainless Steel and Bronze



Sizes in mm

Size	A	B	C	D	E	F	G	H	J	K	L	Dry weight per material - kg			
												BR	AC	CI	X
5"	467	229	248	845	375	260	437	3/8	502	14	1041	183	187	-	-
6"	559	327	318	921	495	298	527	3/8	502	16	1067	227	264	263	279
8"	635	356	432	1286	586	-	781	1/2	711	24	1422	682	818	732	759

Filter composition code



Strainer composition code

