

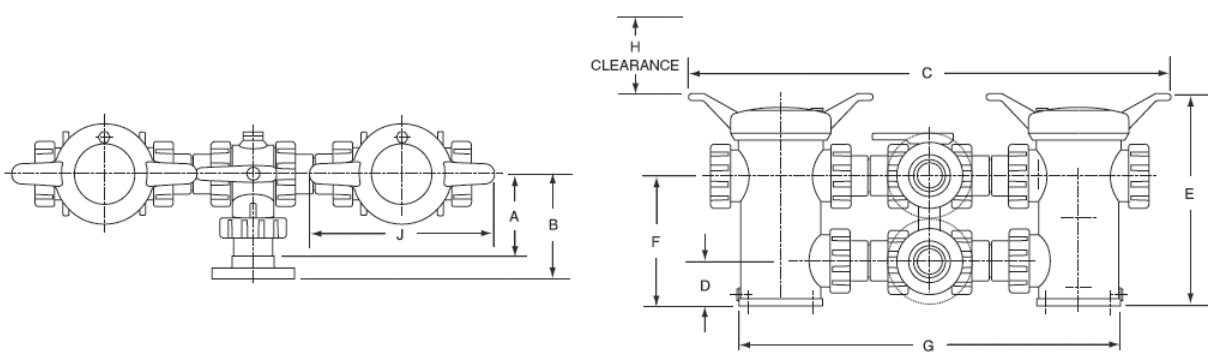
DUPLEX BASKET STRAINER FILTERS IN PVC - FCDP

SPECIFICATIONS

- Quick strainer opening and extraction
- Wide range of strainers
- Low pressure drops
- Standard stainless steel filter strainers
- Uninterrupted flow



PROCESS FILTERS



Sizes in mm

Size	A	B	C	D	E	F	G	H	J	Weight kg	
										Threaded	Flanged
1/2"	105	132	693	57	297	171	521	127	279	9	9.5
3/4"	105	135	693	57	297	171	521	127	279	9	9.5
1"	105	143	693	57	297	171	521	127	279	9	9.5
1" 1/4	152	189	897	83	394	241	711	274	343	18	20
1" 1/2	152	193	897	83	394	241	711	274	343	18	20
2"	152	197	897	83	394	241	711	274	343	18	20
2" 1/2	178	250	1128	123	566	377	904	376	406	38	40
3"	178	243	1128	123	566	377	904	376	406	38	40
4"	237	299	1207	123	566	377	983	376	406	45	48

Size	Material	Connections	Gaskets	Operating pressure
1/2" to 4"	PVC or CPVC	Threaded or Flanged	Viton	10 bar at 21°C
1/2" to 2"	EASTAR	Threaded or Flanged		7 bar at 21°C

