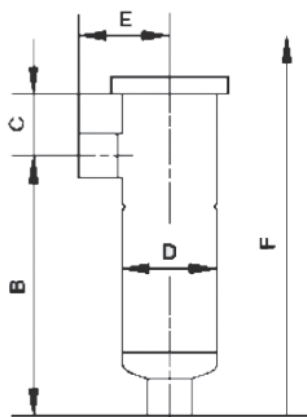


SPECIFICATIONS

- Made of AISI 304 (Y) or AISI 316 (X) steel
- Side inlet and special lid design
- Easy maintenance
- 360° bag seal
- V-Clamp closure
- Compliance with PED Directive 2014/68/EU Art 4.3



| ECOLINE EBF - | 0103-AC09-040B | 0104-AC09-040B | 0101-AC06-050B | 0102-AC06-050B | |
|-------------------------|----------------|----------------|----------------|----------------|------|
| N° Bags | 1 | 1 | 1 | 1 | |
| Bag Size | 03 | 04 | 01 | 02 | |
| Max. flow rate (m³/h) | 6 | 12 | 20 | 40 | |
| Material | AISI 316 | AISI 316 | AISI 316 | AISI 316 | |
| Max pressure (bar) | 9 | 9 | 6 | 6 | |
| Max. temperature (°C) | 120 | 120 | 120 | 120 | |
| Volume (l) | 3 | 4.5 | 15.5 | 27 | |
| Weight (kg) | 3.5 | 4.5 | 7.5 | 11 | |
| Conn. IN and OUT | 1 1/2" | 1 1/2" | 2" | 2" | |
| Connections | BSP | BSP | BSP | BSP | |
| Breather | 1/4" | 1/4" | 1/4" | 1/4" | |
| Housing dimensions (mm) | B | 295 | 454 | 489 | 884 |
| | C | 60 | 60 | 70 | 70 |
| | D | 114 | 114 | 195 | 195 |
| | E | 110 | 110 | 150 | 150 |
| | F | 609 | 876 | 940 | 1727 |