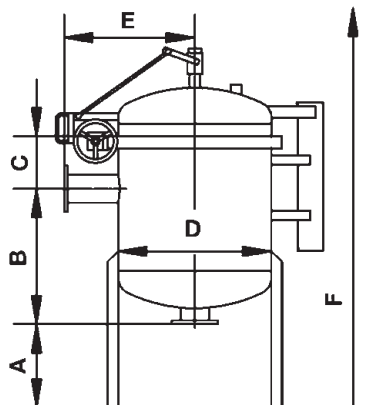


**SPECIFICATIONS**

- Made of AISI 304 (Y) or AISI 316 (X) steel
- Quick-Lock closure system
- Fluid distribution on lid
- Excellent bag seal with 3-point or bayonet systems
- Available from 4 to 24 filter bags sizes 01 and 02
- Compliance with PED Directive 2014/68/EU Art 4.3



MAXILINE VMBF -		0401-AS10-100D	0402-AS10-100D	0802-AS10-150D	1202-AS10-250D
N° Bags		4	4	8	12
Bag Size		01	02	02	02
Max. flow rate (m³/h)		80	160	320	480
Material		AISI 316	AISI 316	AISI 316	AISI 316
Max pressure (bar)		10	10	10	10
Max. temperature (°C)		120	120	120	120
Volume (l)		110	205	440	645
Weight (kg)		180	220	465	770
Conn. IN and OUT		DN 100	DN 100	DN 150	DN 250
Connections		Flanges	Flanges	Flanges	Flanges
Breather		1"	1"	1"	1"
Dimensions (mm)	A	475	475	520	760
	B	345	740	740	620
	C	205	205	245	395
	D	559	559	800	950
	E	400	400	520	625
	F	1950	2300	2500	3300