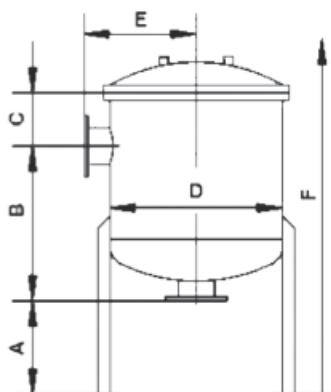


SPECIFICATIONS

- Made of AISI 304 (Y) or AISI 316 (X) steel
- Fluid distribution on lid
- Excellent bag seal with 3-point or bayonet systems
- Eyebolts or T-bolt
- Available from 4 to 24 filter bags sizes 01 and 02
- Compliance with PED Directive 2014/68/EU Art 4.3



MAXILINE MBF -	0401-AS10-100D	0402-AS10-100D	0802-AS10-150D	1202-AS10-250D	1602-AS10-300D	2002-AS10-350D	2402-AS10-350D
N° Bags	4	4	8	12	16	20	24
Bag Size	01	02	02	02	02	02	02
Max. flow rate (m³/h)	80	160	320	480	640	800	960
Material	AISI 316	AISI 316	AISI 316	AISI 316	AISI 316	AISI 316	AISI 316
Max pressure (bar)	10	10	10	10	10	10	10
Max. temperature (°C)	120	120	120	120	120	120	120
Volume (l)	110	205	440	645	945	1325	1750
Weight (kg)	180	220	465	770	975	1050	1700
Conn. IN and OUT	DN 100	DN 100	DN 150	DN 250	DN 300	DN 350	DN 350
Connections	Flanges	Flanges	Flanges	Flanges	Flanges	Flanges	Flanges
Breather	1"	1"	1"	1"	1"	1"	1"
Dimensions (mm)	A	475	475	520	760	875	980
	B	345	740	740	611	590	700
	C	205	205	245	395	470	555
	D	559	559	800	950	1100	1250
	E	400	400	520	625	753	790
	F	1630	2270	2360	3000	2800	3085