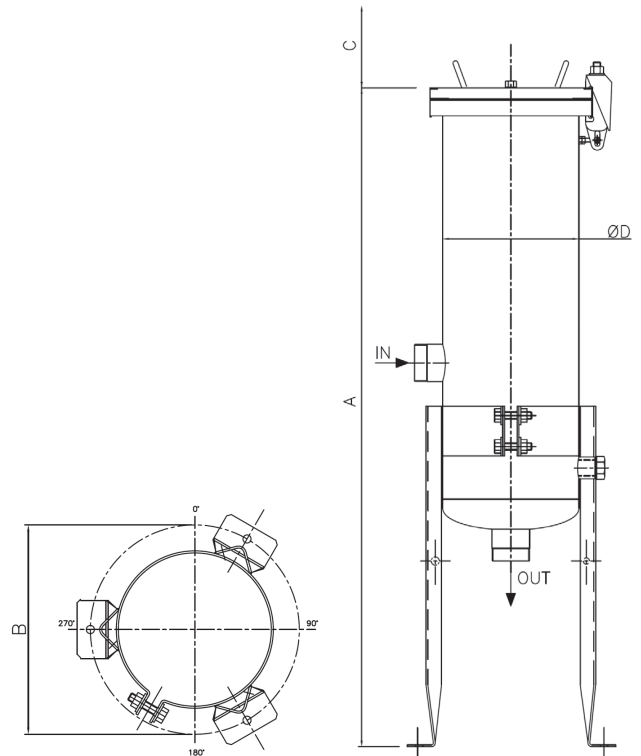


SPECIFICATIONS

- Made entirely of AISI 316L
- Suitable for DOE/SOE/COD cartridges. 8
- Max. operating pressure 10 bar
- Max. operating temperature 100°C
- Available with threaded (G) or flanged (F) fittings
- Connections: Threaded 1/2"- 4" M/F and Flanged DN15-DN100
- Quick-Lock system: folding clamps (bolts for custom cases)
- Gasket material: EPDM, VITON, SILICONE, PTFE, FEP, SILICONE, BUNA N
- Body finish: pickling / Electro-polishing (int. / ext.)
- Compliance with Directive 2014/68/EU PED Art. 4 Par. 3 or higher category (I-II)
- Compliance with ATEX Directive 2014/34/EU (Zone 1 marking II 2G/D TX)
- Construction in accordance with VSR-95 ED.1999
- Suitable for containing H.10"-20"-30"-40" cartridges

APPLICATIONS

- Groups 1 and 2 process fluid filtration
- Critical solvents and fluids
- Paints, inks and coatings
- Potable and process water
- Reverse osmosis pre-filters
- Hydrocarbons, detergents, refrigerants
- Lubricants, cutting oils



Model Code	No. Cartridges x Height	In / Out Connections		Dimensions (mm) AxBxC - ØD	*Flow rate m³/h	Weight
		G = Threaded	F = Flanged			
MLCT-P-MR-310	3 x 10"	1.5" BSP M	DN40	680 x 247 x 250 - Ø168.3	4.5	21.5
MLCT-P-MR-320	3 x 20"	1.5" BSP M	DN40	945 x 247 x 500 - Ø168.3	9	24
MLCT-P-MR-330	3 x 30"	1.5" BSP M	DN40	1215 x 247 x 750 - Ø168.3	13.5	26.5
MLCT-P-MR-340	3 x 40"	1.5" BSP M	DN40	1465 x 247 x 1000 - Ø168.3	18	29
MLCT-P-MR-510	5 x 10"	2" BSP M	DN50	800 x 305 x 250 - Ø219.1	7.5	26.5
MLCT-P-MR-520	5 x 20"	2" BSP M	DN50	1065 x 305 x 500 - Ø219.1	15	29
MLCT-P-MR-530	5 x 30"	2" BSP M	DN50	1335 x 305 x 750 - Ø219.1	22.5	31.5
MLCT-P-MR-540	5 x 40"	2" BSP M	DN50	1585 x 305 x 1000 - Ø219.1	30	34
MLCT-P-MR-610	6 x 10"	2" BSP M	DN50	800 x 305 x 250 - Ø219.1	9	26.5
MLCT-P-MR-620	6 x 20"	2" BSP M	DN50	1065 x 305 x 500 - Ø219.1	18	29
MLCT-P-MR-630	6 x 30"	2" BSP M	DN50	1335 x 305 x 750 - Ø219.1	27	31.5
MLCT-P-MR-640	6 x 40"	2" BSP M	DN50	1585 x 305 x 1000 - Ø219.1	36	34
MLCT-P-MR-720	7 x 20"	2.5" BSP M	DN65	1065 x 305 x 500 - Ø219.1	21	29
MLCT-P-MR-730	7 x 30"	2.5" BSP M	DN65	1335 x 305 x 750 - Ø219.1	31	31.5
MLCT-P-MR-740	7 x 40"	2.5" BSP M	DN65	1585 x 305 x 1000 - Ø219.1	42	34
MLCT-P-MR-920	9 x 20"	3" BSP M	DN80	1217 x 355 x 500 - Ø273	27	51.5
MLCT-P-MR-930	9 x 30"	3" BSP M	DN80	1487 x 355 x 750 - Ø273	40	55
MLCT-P-MR-940	9 x 40"	3" BSP M	DN80	1738 x 355 x 1000 - Ø273	54	59

* Flow rate based on liquids with the same viscosity as water with 25 µm filtration degree and initial pressure drop of 0.2 bar