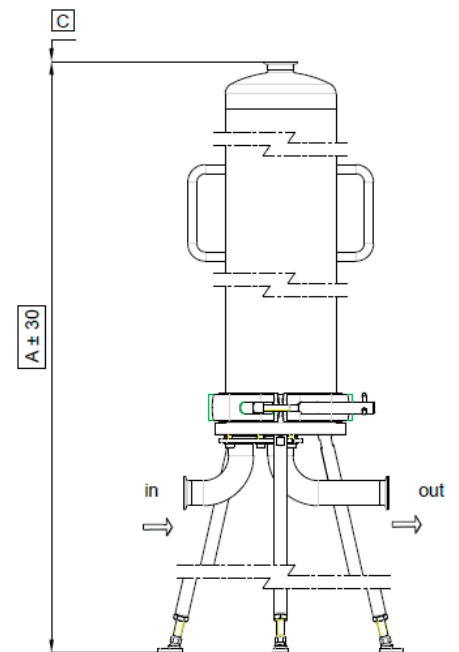
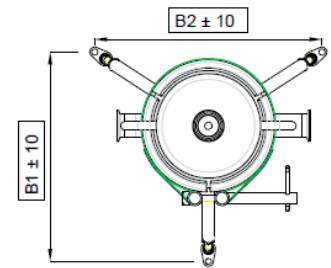


SPECIFICATIONS

- Constructed in AISI 316L stainless steel
- V-Clamp closure
- Test pressure at 14.5 bar
- Drain (D) and breather (G) fittings Clamp 3/4" BS4825 or BSP 1/4"
- SOE cartridge fitting – Cod. 7
- Suitable for Group 1 and 2 fluids (hazardous and non-hazardous)
- Mechanically polished
- Compliance with PED 2014/68/EU Art. 4.3
- Compliance with Directive 2014/34/EU ATEX II 2GD TX

APPLICATIONS

- Pharmaceutical
- Healthcare applications
- Biotechnology
- Biological applications
- Beverage and syrup filtration



Use			Max pressure (bar)			
			Cartridge Height			
Fluid Group	State	Temp.	10"	20"	30"	40"
Hazardous	Liquid	0-40°C	10.0	10.0	10.0	10.0
Hazardous	Liquid	150°C	7.5	7.5	7.5	7.5
Hazardous	Gas/Steam	0-40°C	10.0	8.7	6.5	5.2
Hazardous	Gas/Steam	150°C	7.5	7.5	6.5	5.2
Non-hazardous	Liquid	0-40°C	10.0	10.0	10.0	10.0
Non-hazardous	Liquid	150°C	7.5	7.5	7.5	7.5
Non-hazardous	Gas/Steam	0-40°C	10.0	10.0	10.0	10.0
Non-hazardous	Gas/Steam	150°C	7.5	7.5	7.5	7.5

Dimensions (mm)					
N° Cart	Height	A	B1/B2	C	Ø F
3	10"	830	365/335	300	168.3
	20"	1080	365/335	550	168.3
	30"	1330	365/335	800	168.3
	40"	1580	365/335	1050	168.3
5	10"	830	415/360	300	219.0
	20"	1080	415/360	550	219.0
	30"	1330	415/360	800	219.0
	40"	1580	415/360	1050	219.0
8	10"	870	470/410	300	273.0
	20"	1120	470/410	550	273.0
	30"	1370	470/410	800	273.0
	40"	1620	470/410	1050	273.0

COMPOSITION CODE	ASH-ML	3	4	TC	10
	Model	No. Cartridges	Length	In/Out Connection Type	In/Out Connection
		3 5 8	1 = 10" (248 mm) 2 = 20" (508 mm) 3 = 30" (762 mm) 4 = 40" (1016 mm)	TC = TRICLAMP (BS 4825) FL = FLANGED (DN/ASME) BF = DIN 11851 (MALE)	10 = 1" 15 = 1.5" 20 = 2" 25 = DIN 25 40 = DIN 40 50 = DIN 50