

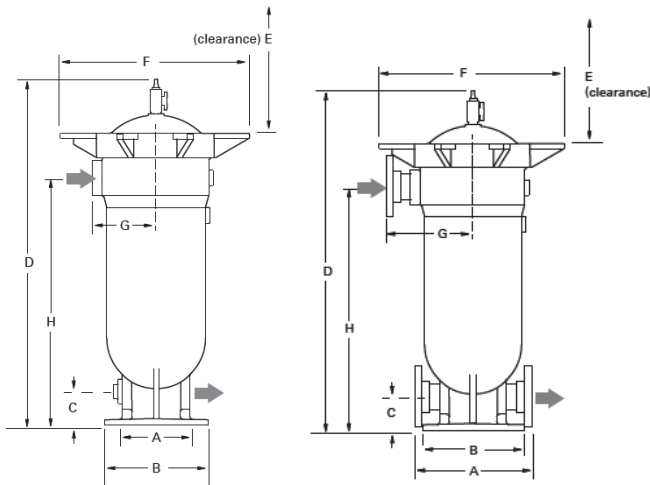
**SPECIFICATIONS**

- Made entirely of plastic, polypropylene or PVDF
- Made in a single piece
- No seams or welding
- Reinforced with glass fibre
- Resistant to high pressures and temperatures
- Connections: Threaded (B) or Flanged (D)

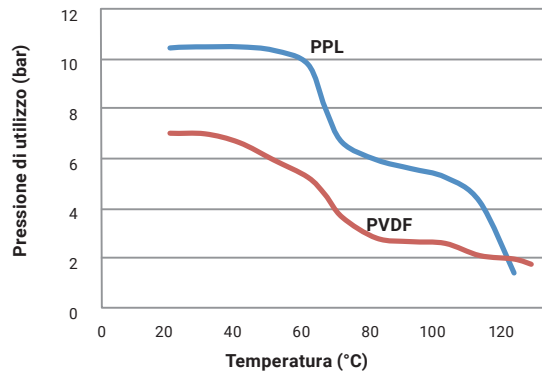


BSP Threaded

Flanged



Pressione di esercizio ammissibile a temperatura



POL - S		0101-PO10-050B	0102-PO10-050B	0101-PO10-050D	0102-PO10-050D	0102-PF06-050D
Max pressure (bar)		10	10	10	10	7
Max. Temp (°C)		20	20	20	20	20
Material		PPL	PPL	PPL	PPL	PVDF
Dimensions (mm)	A	165	165	145	145	145
	B	254	254	254	254	254
	C	83	83	83	83	83
	D	867	1273	867	1273	1273
	E	508	914	508	914	914
	F	467	467	467	467	467
	G	156	156	219	219	219
	H	607	1013	607	1013	1013
Volume (l)		25	36	25	36	36
No. bags		1	1	1	1	1
Bag size		01	02	01	02	02
Max. flow rate (m³/h)		12	24	12	24	24
Breather		1/4" BSP	1/4" BSP	1/4" BSP	1/4" BSP	1/4" BSP
Weight (kg)		23	29	25	31	46
Conn. IN and OUT		2" BSP F	2" BSP F	DN 50	DN 50	DN 50