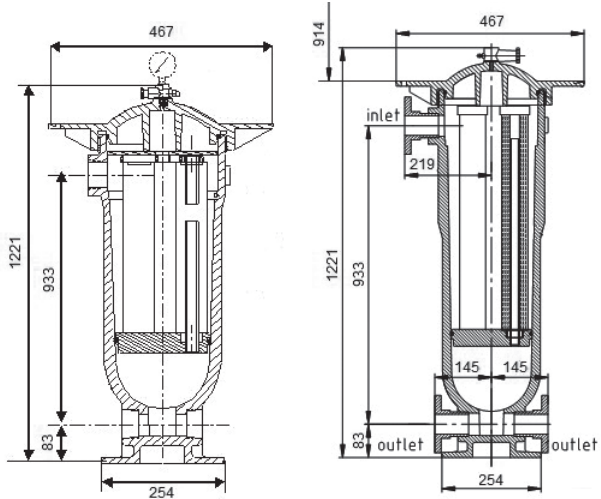
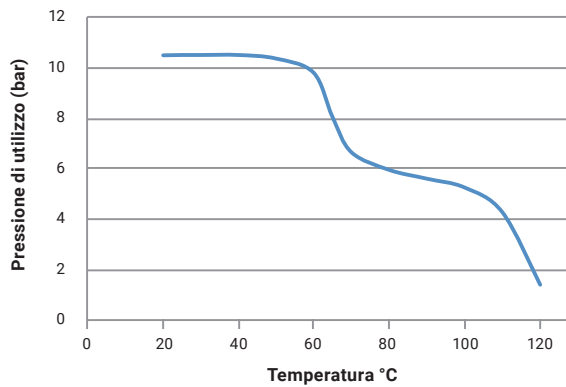


SPECIFICATIONS

- Made entirely of Polypropylene
- Made in a single piece
- No seams or welding
- Reinforced with glass fibre
- Resistant to high pressures and temperatures
- Suitable for containing DOE-SOE 222 30"cartridges



Pressione di esercizio ammissibile a temperatura



POLYLINE FC-POL - C	530-P-10	530-P-10-F
Max. conditions of use (bar/°C)	10 bar / 20°C (see graph)	
*Nominal flow rate	15 m³/h	
Material	Glass-fibre reinforced polypropylene	
Measurements (mm) A	1221	
Measurements (mm) B	930	
Measurements (mm) C	330	584
Volume (l)	36	
Cartridge length	30" = 762 mm	
No. cartridges	5	
Max. out. cartridge diameter	70 mm	
Breather	5/8" NPT	
Weight (kg)	30	32
Connections	2" BSP female	2" ANSI/DIN flange

* Flow rate refers to nominal water filtration 5 µm - Δp: 0.15 bar