

SINGLE-CARTRIDGE SANITARY APPLICATION FILTERS HOUSINGS – ASH-MN

SPECIFICATIONS

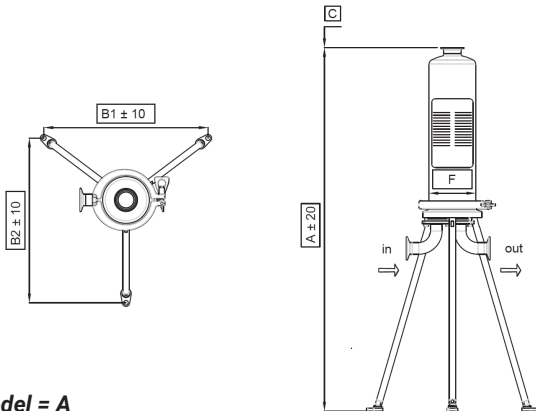
- Constructed in AISI 316L stainless steel
- V-Clamp closure
- Test pressure at 14.5 bar
- Drain (D) and breather (G) fittings Clamp 3/4" BS4825 or BSP 1/4"
- SOE cartridge fitting – Cod. 7
- Suitable for Group 1 and 2 fluids (hazardous and non-hazardous)
- Mechanically polished
- Compliance with PED 2014/68/EU Art. 4.3
- Compliance with Directive 2014/34/EU ATEX II 2GD TX
- Also available in custom heights

APPLICATIONS

- Pharmaceutical
- Healthcare applications
- Biotechnology
- Biological applications
- Beverage and syrup filtration

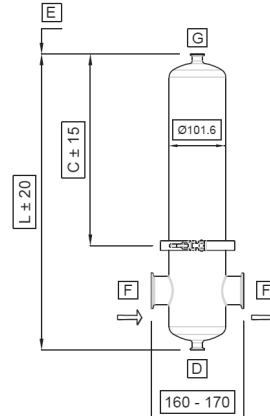


Use			Max pressure (bar)			
			Cartridge Height			
Fluid Group	State	Temp.	10"	20"	30"	40"
Hazardous	Liquid	0-40°C	10.0	10.0	10.0	10.0
Hazardous	Liquid	150°C	7.5	7.5	7.5	7.5
Hazardous	Gas/Steam	0-40°C	10.0	8.7	6.5	5.2
Hazardous	Gas/Steam	150°C	7.5	7.5	6.5	5.2
Non-hazardous	Liquid	0-40°C	10.0	10.0	10.0	10.0
Non-hazardous	Liquid	150°C	7.5	7.5	7.5	7.5
Non-hazardous	Gas/Steam	0-40°C	10.0	10.0	10.0	10.0
Non-hazardous	Gas/Steam	150°C	7.5	7.5	7.5	7.5



Model = A

Dimensions (mm) model A					
Cartridge Height C	A	C	B1/B2	Volume L	Net Weight KG
10"	790	300	360/360	2.9	6.8
20"	1040	550	360/360	4.7	8
30"	1290	800	360/360	6.6	9.2
40"	1540	1050	360/360	8.5	10.4



Model = B

Dimensions (mm) model B				
Cartridge Height C	L	E	Volume L	Net Weight KG
10"	530	300	3.9	3.5
20"	780	550	5.7	4.8
30"	1030	800	7.6	5.1
40"	1280	1050	9.5	6.4

COMPOSITION CODE	ASH-MN	10	TC	15
	Model	Cartridge Height	In/Out Connection Type	In/Out Connection
	Model = A Model = B	10 = 10" 20 = 20" 30 = 30" 40 = 40"	TC = TRICLAMP (BS 4825)	10 = 1" / 15 = 1.5" / 20 = 2"
			BC = DIN 11851 (FEMALE) BF = DIN 11851 (MALE)	25 = DIN 25 / 40 = DIN 40 / 50 = DIN 50
			MA = BSPF	05 = 1/2" / 10 = 1" / 15 = 1" 1/2
TR = BSPM			07 = 3/4" / 10 = 1" / 14 = 1" 1/4 / 15 = 1" 1/2	